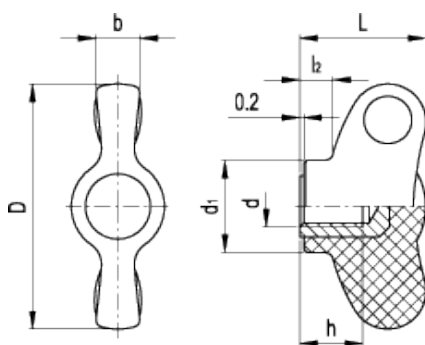


CWN.

Wing nuts



ELESA Original design



technical informations

Material

Glass-fibre reinforced polyamide based (PA) technopolymer. Resistant to solvents, oils, greases and other chemical agents.

Colour

Black, matte finish.

Assembly

Brass boss, tapped blind hole.

Ergonomy and design

The slightly convex marks on the wings offer a point where the fingers can be positioned to apply the maximum clamping force with the best grip.

| Standard Elements | | Main dimensions | | | | | Mounting hole | | Weight |
|-------------------|-------------|-----------------|------|----------------|----------------|---|-----------------|---|--------|
| Code | Description | D | L | d ₁ | l ₂ | b | d _{6H} | h | g |
| 8601 | CWN.32 B-M5 | 32 | 16.5 | 12 | 3.5 | 6 | M5 | 6 | 7 |

| | | | | | | | | | |
|------|-------------|----|------|------|-----|-----|----|----|----|
| 8602 | CWN.32 B-M6 | 32 | 16.5 | 12 | 3.5 | 6 | M6 | 8 | 6 |
| 8651 | CWN.40 B-M6 | 40 | 21 | 13.5 | 4.5 | 6.5 | M6 | 12 | 12 |
| 8652 | CWN.40 B-M8 | 40 | 21 | 13.5 | 4.5 | 6.5 | M8 | 13 | 11 |



STANDARD MACHINE ELEMENTS WORLDWIDE